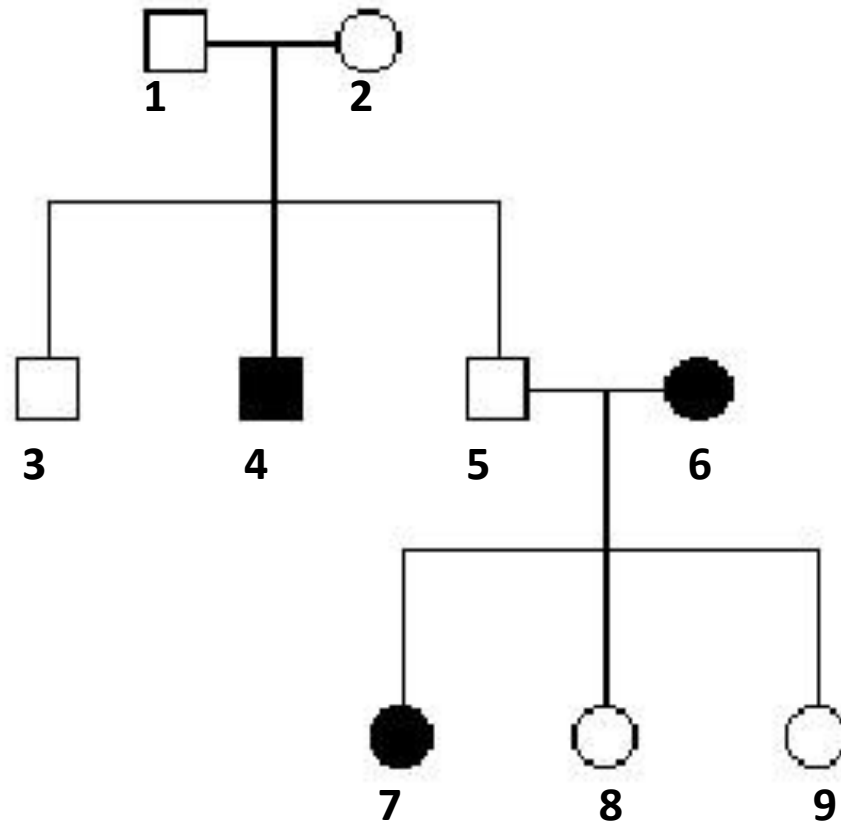


BW #11



The filled in people have a recessive trait.

1. What is the genotype of person 4?
2. What is the genotype of person 8?

GENETIC DISORDERS

1- Single Gene Disorders

- These disorders ***involve mutations in the DNA sequences of single genes.*** As a result, the protein the gene codes for is either altered or missing.
 - Cystic Fibrosis
 - Huntington's Disease
 - Sickle Cell Anemia

2-Chromosomal Abnormalities

- In these disorders, ***entire chromosomes, or large segments of them, are missing, duplicated, or otherwise altered.***
 - **Downs Syndrome (trisomy 21)**
 - **Turner Syndrome (X)**
 - **Cru-di-chat (missing a piece of #5)**

3-Multifactorial Disorders

- These disorders involve ***variations in multiple genes, often paired with environmental causes.***
 - ***Breast/Ovarian Cancer***
 - ***Alzheimers***
 - ***Colon Cancer***