

Elements & Macromolecules in Organism

Name _____

C 18.5%
black

O 65%
red

P 1.0%
pink

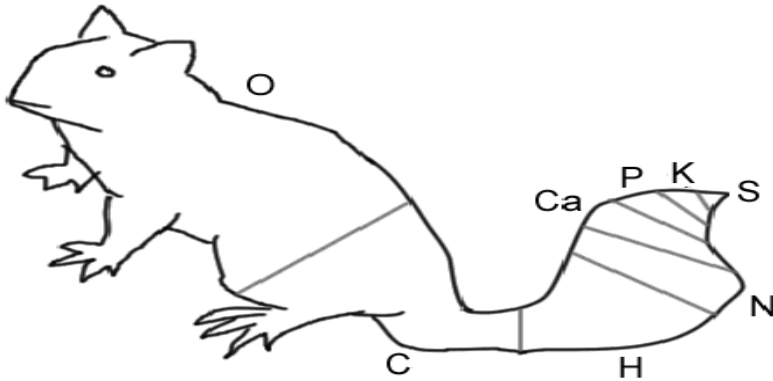
K 0.4%
brown

H 9.5%
yellow

N 3.3%
blue

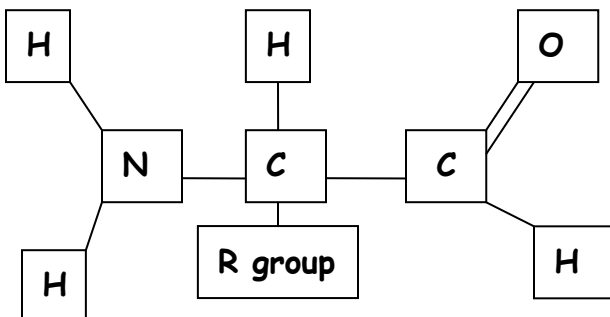
S 0.3%
green

Ca 1.5%
purple

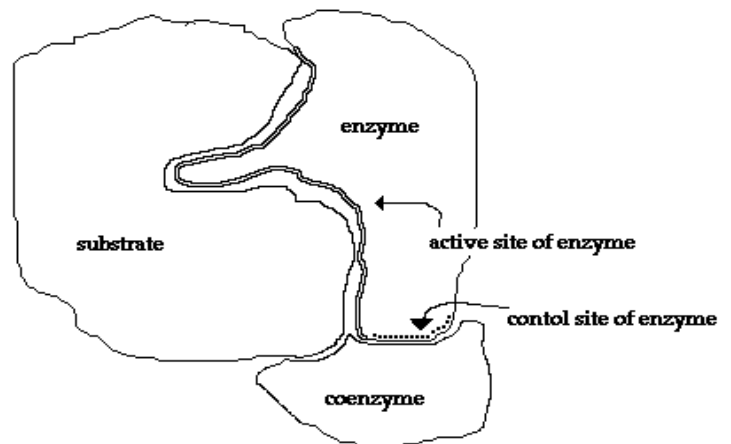


QUESTIONS:

1. Name the 4 main elements that make up 95% of an organism.
2. What element are organic compounds made of?
3. What are macromolecules?
4. Name the 4 classes of macromolecules.
5. Give 2 examples of nucleic acids.
6. What elements make up carbohydrates & lipids (symbols)?
7. Name 3 elements your body needs trace amounts of for proper functioning.



AMINO ACID



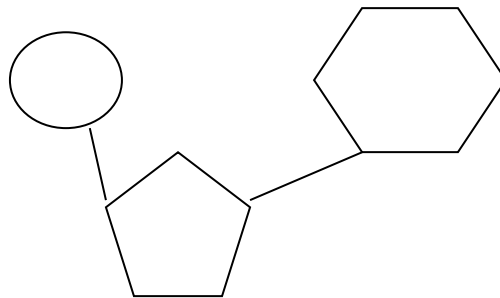
ENZYME SUBSTRATE COMPLEX

Proteins

Questions:

8. What subunits make up proteins?
9. Proteins also act as _____ in cells to control reactions.
10. Cells have _____ of enzymes to act as biological _____.
11. Enzymes have an attachment site called the _____ site for the _____ to join.
12. What is the effect of excess heat or temperature on an enzyme?
13. Chains of amino acids make _____ which can join together to make a _____.

Nucleic Acids



Questions:

14. Nucleic acids carry _____ information in a molecule called _____ or _____ acid.
15. DNA has the instructions for making a cell's _____.
16. The nucleic acid _____ copies DNA so _____ can be made.
17. _____ are the subunits making up nucleic acid.
18. The 3 parts of a nucleotide are a 5 carbon _____, a phosphate, and a nitrogen _____.