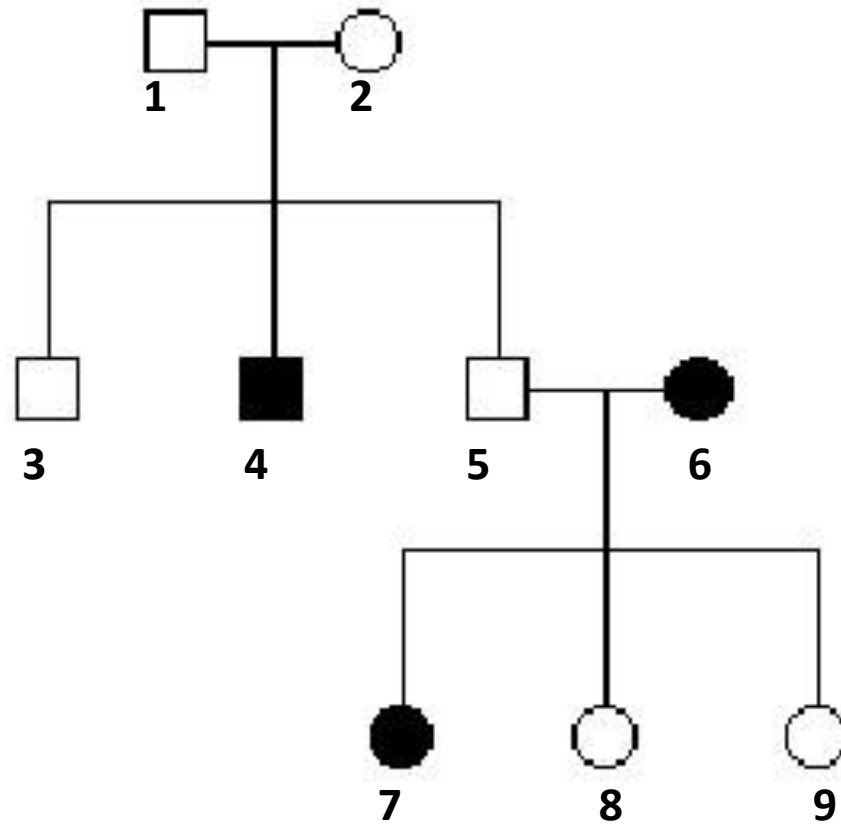


BW #11



The filled in people have a recessive trait.

1. What is the genotype of person 4?
2. What is the genotype of person 8?